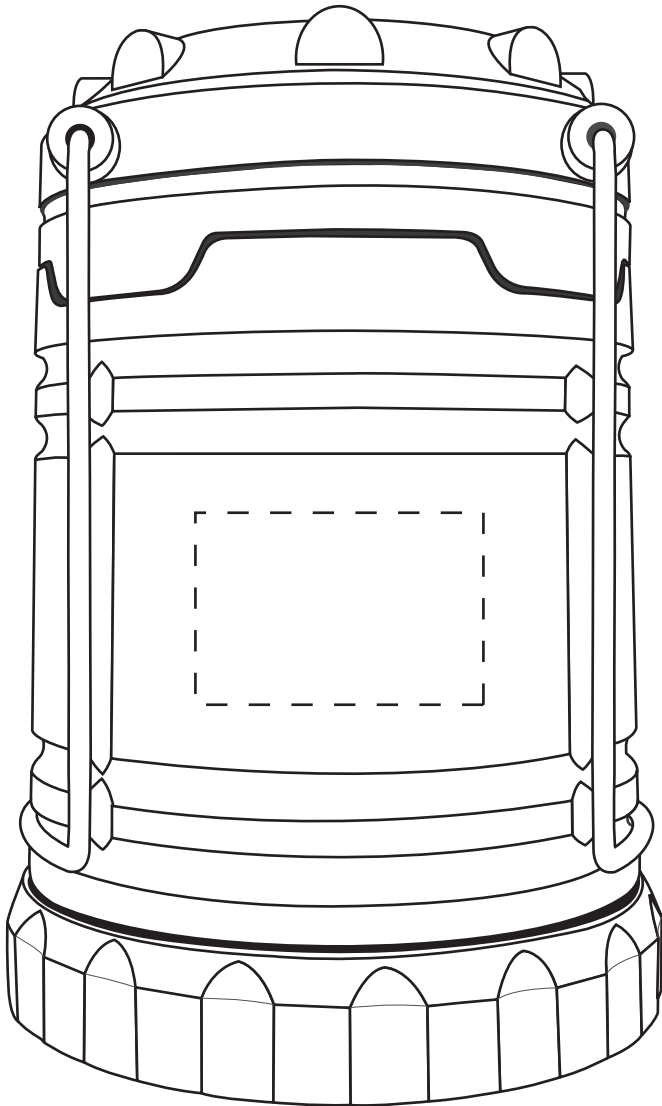
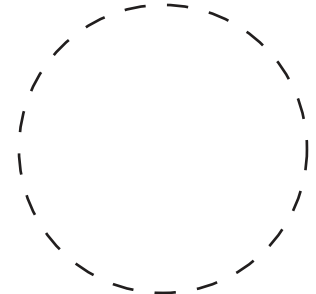


Item Size: 3-3/8" x 5" (9-3/4 extended) x 3-3/8"  
 Imprint Areas: 1-1/2" x 1" side  
 1-1/2" diameter top  
 1-1/2" diameter top digital imprint

Retro Pop Up Lantern  
 WLT-RL17  
 side

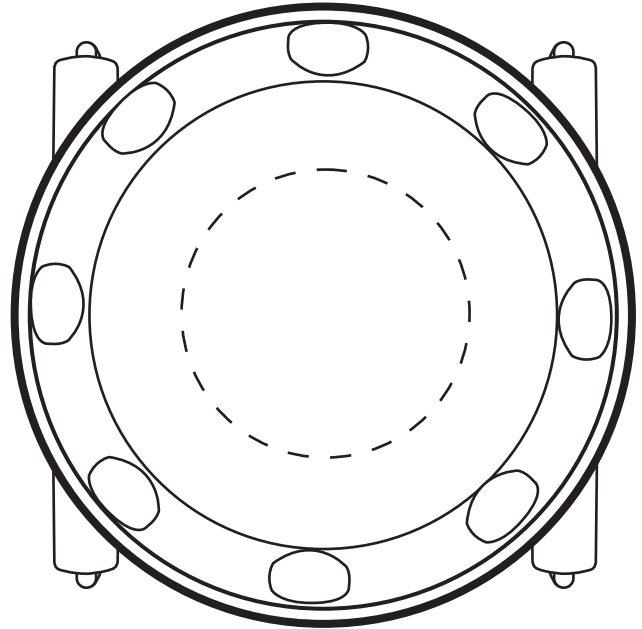


1.5" x 1" side



1.5" diameter top

Retro Pop Up Lantern  
 WLT-RL17  
 top



Item #	Description
WLT-RL17	RETRO POP UP LANTERN

Your artwork will be sized to max imprint area unless otherwise requested. Due to the orientation of some logos, your artwork may be sized smaller than the imprint area listed here or in the catalog to achieve a uniform, non-distorted imprint.