

Orbit Swivel Beacon with Motion Detector  
WLT-OS18 - FRONT

ON OFF AUTO  
on this side



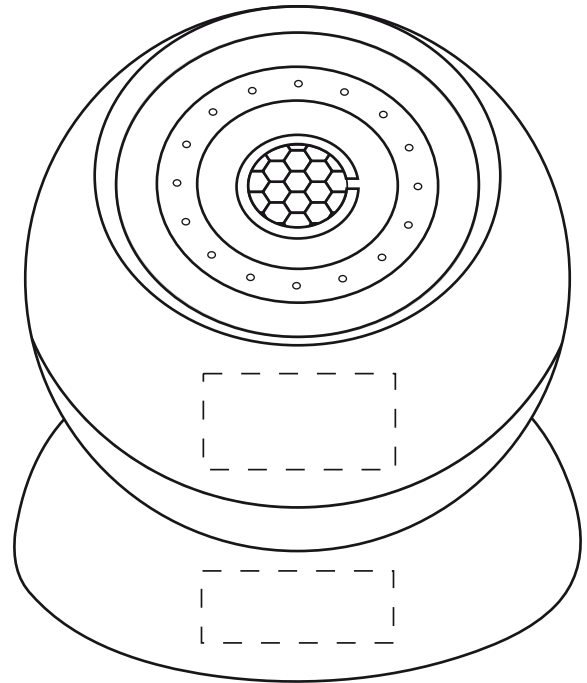
Side of Top Piece:

1/2" x 1"



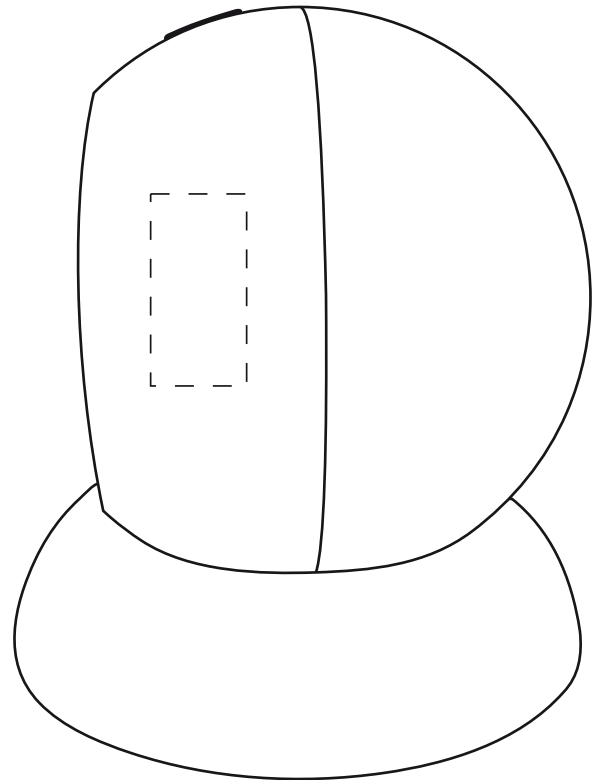
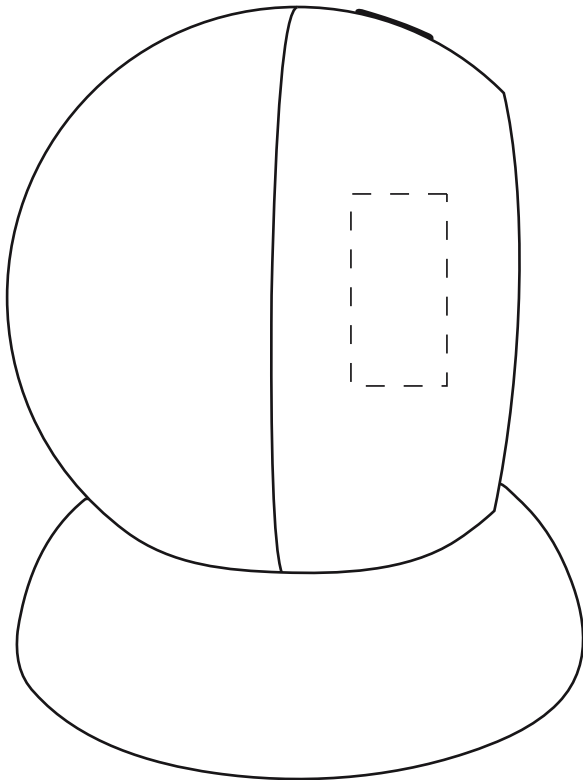
Bottom Piece:

1" x 3/8"



Orbit Swivel Beacon with Motion Detector  
WLT-OS18 - SIDE

Orbit Swivel Beacon with Motion Detector  
WLT-OS18 - SIDE



Item #	Description
WLT-OS18	ORBIT SWIVEL BEACON WITH MOTION DETECTOR

Your artwork will be sized to max imprint area unless otherwise requested. Due to the orientation of some logos, your artwork may be sized smaller than the imprint area listed here or in the catalog to achieve a uniform, non-distorted imprint.