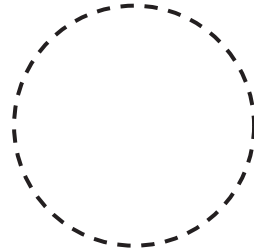
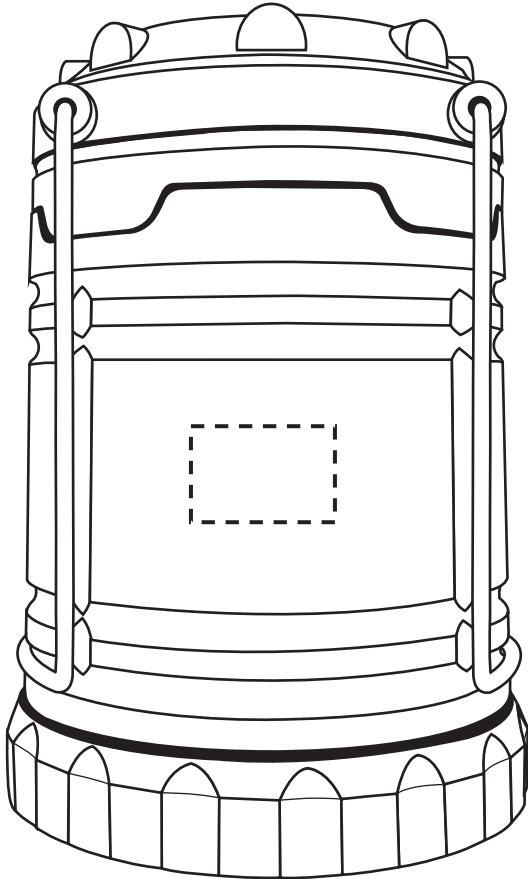




.75" x .5"  
side

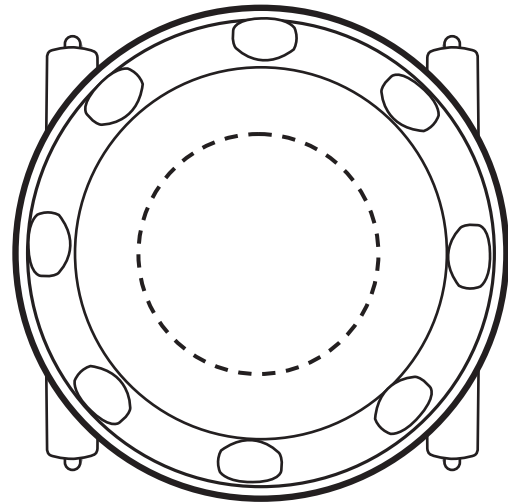
default

Mini Retro Lantern  
WLT-ML18  
side



1.25" diameter  
top

Mini Retro Lantern  
WLT-ML18  
top



Item #	Description
WLT-ML18	MINI RETRO LANTERN

Your artwork will be sized to max imprint area unless otherwise requested. Due to the orientation of some logos, your artwork may be sized smaller than the imprint area listed here or in the catalog to achieve a uniform, non-distorted imprint.