

PILL - TABLET

LPH-PT02

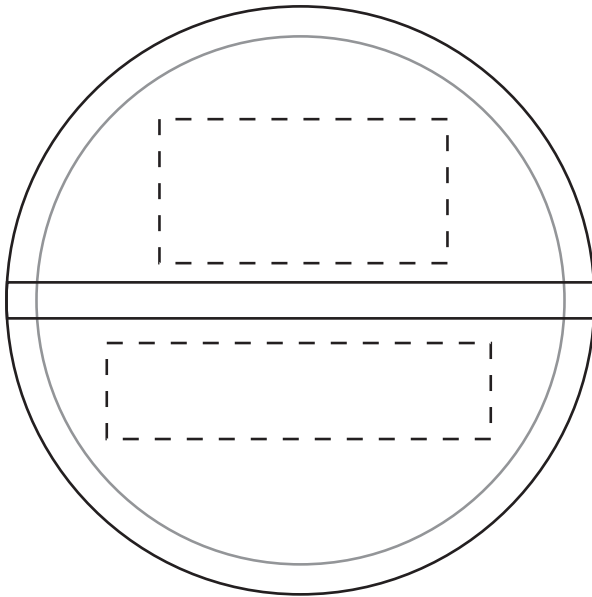
IMPRINT AREA:

1-1/2" x 3/4" (FRONT_ABOVE SCORE)

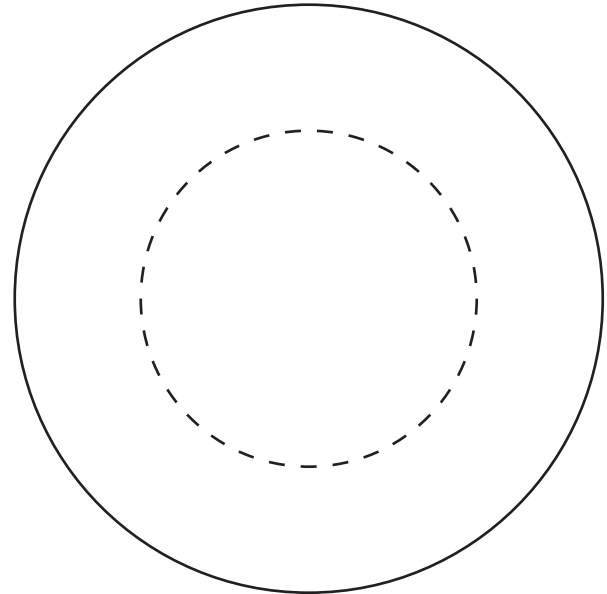
2" x 3/4" (FRONT_BELOW SCORE)

1-3/4" DIAMETER (BACK)

FRONT



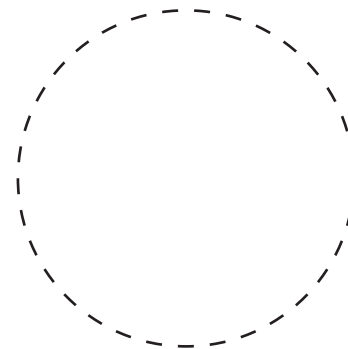
BACK



1.5" X .75"



2" X .5"



1.75" dia.

*These imprint areas are interchangeable to best suit your logo dimensions. If these imprint areas are used to print above and below the score, two set-up charges will apply.

*This imprint area can be used on the front to print above and below the score as one imprint location.

Item #	Description
LPH-PT02	PILL-TABLET
Your artwork will be sized to max imprint area unless otherwise requested. Due to the orientation of some logos, your artwork may be sized smaller than the imprint area listed here or in the catalog to achieve a uniform, non-distorted imprint.	