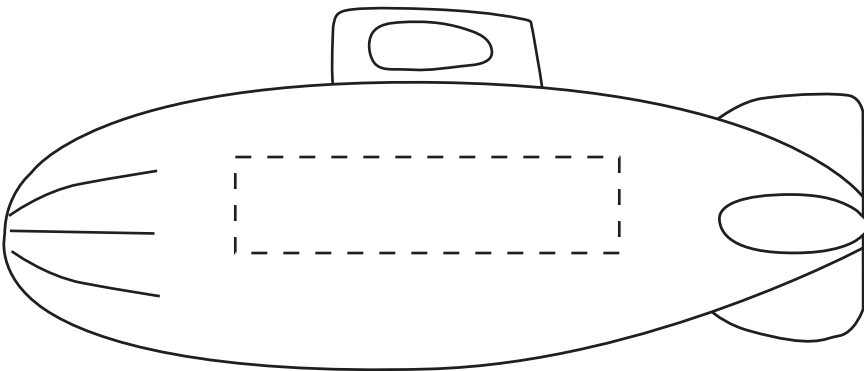


Imprint Area  
2" x 1/2" sides



Item #	Description
LML-SU33	SUBMARINE
Your artwork will be sized to max imprint area unless otherwise requested. Due to the orientation of some logos, your artwork may be sized smaller than the imprint area listed here or in the catalog to achieve a uniform, non-distorted imprint.	